

Device Compatibility

The xCase is backward compatible and will fit many Surface products, past and present. If you own an older device it's never too late to give it the rugged protection it deserves. See the chart below for our current line of rugged xCases for Surface and compatible devices.

xCase for	Surface Pro 10		Surface Pro 8	Surface Pro 7+					Surface Go 3				
Compatible model	9	10	8	4	5	5 LTE	6	7	7+	Go	Go 2	Go 3	Go 4

Combination xCases

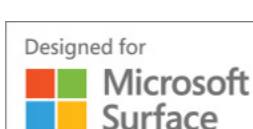
Available in Surface Pro and Surface Go



*Contact us for Surface Pro 7+ options.

[CONTACT US](#)

Configurations	Surface Pro*	Surface Go
Barcode Scanner	✓	✓
Barcode Scanner + 3D Camera	✓	✓
Barcode + iDynamo Payment Module	✓	✗
Barcode + tDynamo Payment Module	✗	✓
Barcode Scanner + NFC Reader	✓	✓
Barcode Scanner + Magstripe Reader	✗	✓
Barcode Scanner + Payment Bracket	✓	✓
iDynamo Payment Module	✓	✗
tDynamo Payment Module	✗	✓
NFC Reader	✓	✓
Magstripe Reader	✗	✓
Payment Bracket	✓	✓
3D Camera	✓	✓



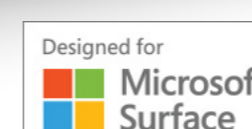
Barcode Scanner

- Honeywell barcode scanner



3D Camera

- Intel® RealSense™ D415 and D455 3D depth cameras



iDynamo Payment Module + Scanner

- Honeywell barcode scanner
- MagTek iDynamo 3-1 payment module



iDynamo Payment Module

- MagTek iDynamo 3-1 payment module



Barcode Scanner+ tDynamo Payment Module

- Honeywell barcode scanner
- MagTek tDynamo 3-1 payment module



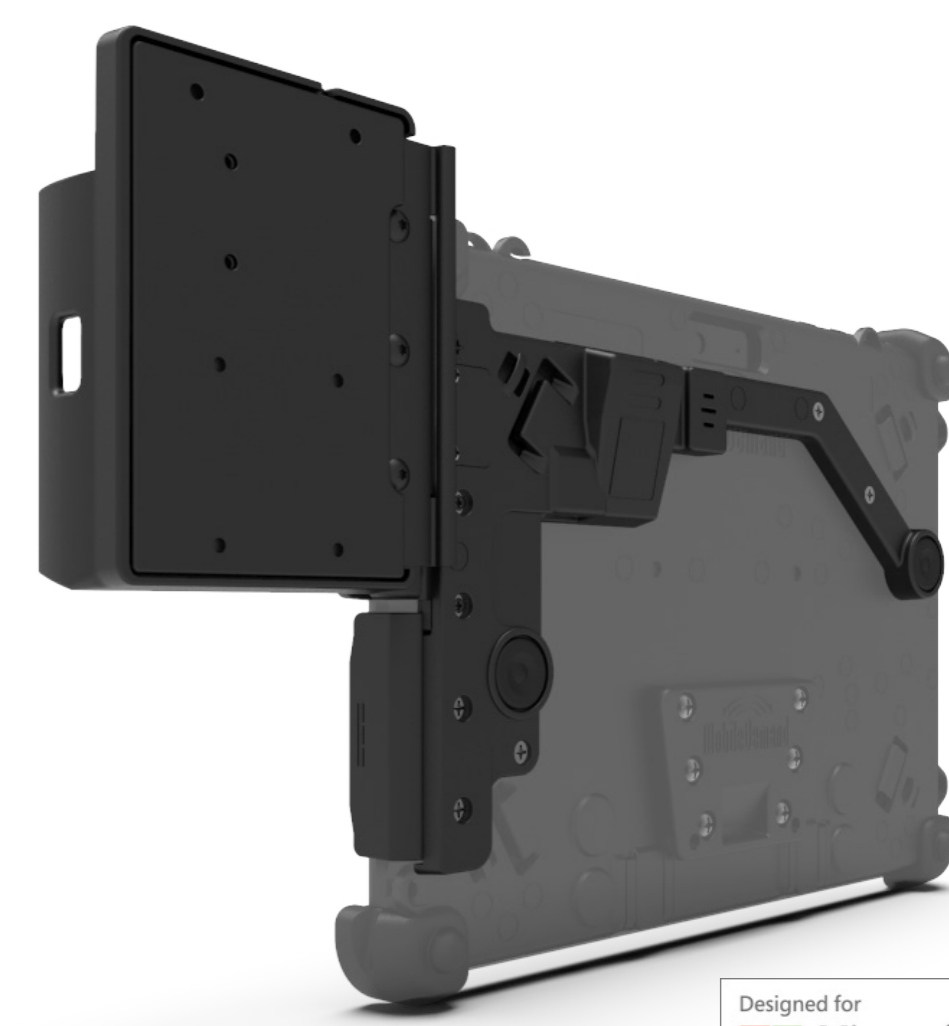
Barcode Scanner+ NFC Module

- Honeywell barcode scanner
- rf IDEAS WAVE ID NFC Reader



Barcode Scanner+ Magstripe Reader

- Honeywell barcode scanner
- Integrated MagTek MSR



Barcode Scanner+ Payment Bracket

- Honeywell barcode scanner
- Ingenico iSMP4, Link/2500, Link/2500i and Verifone e285



tDynamo Payment Module

- MagTek tDynamo 3-1 payment module



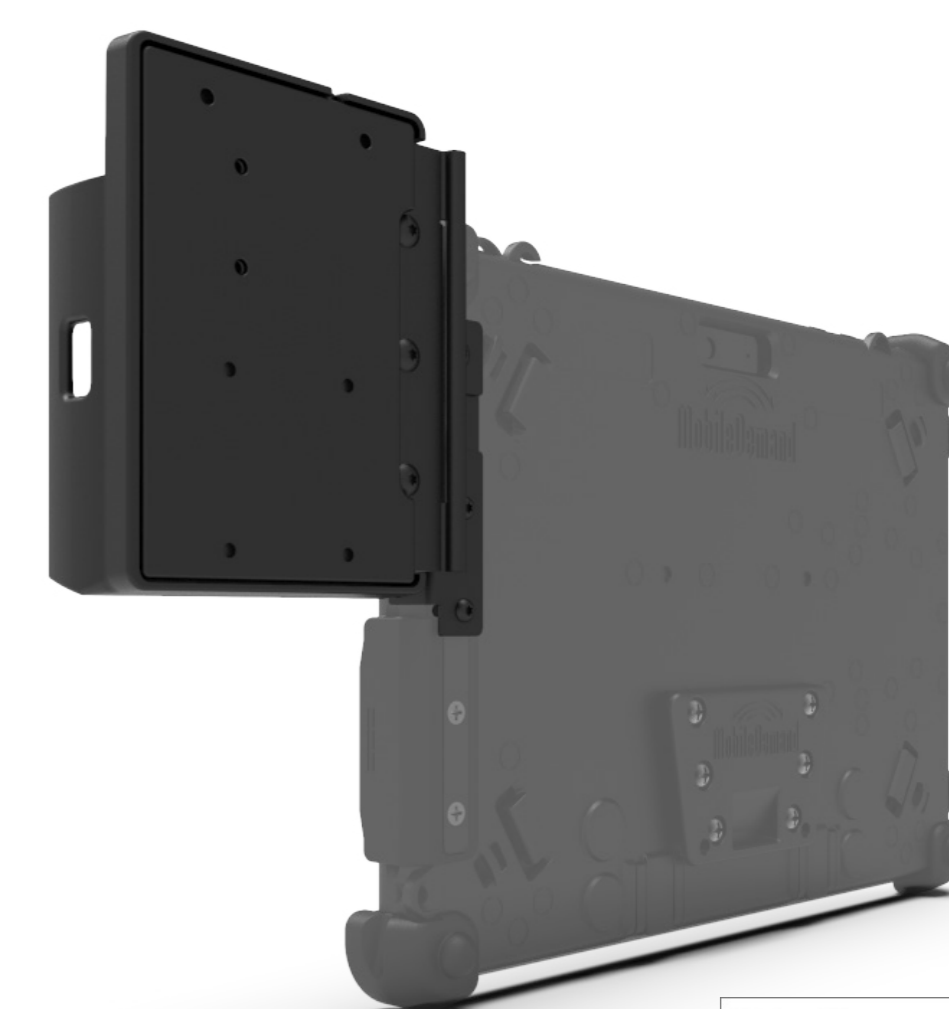
NFC

- rf IDEAS WAVE ID NFC Reader



Magstripe Reader

- MagTek MSR



Payment Bracket

- Ingenico iSMP4, Link/2500, Link/2500i and Verifone e285